



Planar 20 dBi Antenna

End-User Reception Antenna

MDS-RXANT-20FLT

MDS America, Inc. is offering our customers a low profile, small, 20 dBi reception antenna specially designed for the terrestrial applications. This small antenna is a good choice for the installations near or at medium distances to a transmitter tower. Non-corrosive sturdy plastic cover will maintain its shape even in the harshest weather conditions. The antenna plastic cover is also available in a variety of colors.

For optimal quality reception, this antenna should be used together with the MDSA AGC LNB.

Features

- Low profile
- Small size
- Non-corrosive plastic cover
- Round or square antenna shape

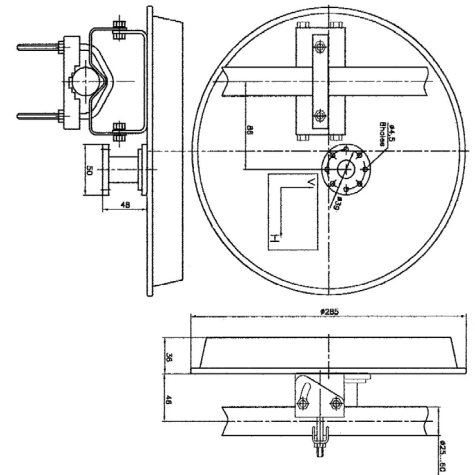
RF Specs

- Input frequency range: 10.7 to 12.7 GHz
- Polarization: Dual H and V
- Gain: 20 dBi, min
- Cross polarization: 25 dB, min
- Main beam width: 6 degrees @ -3 dB
- Output VSWR: < 2



Mechanical

- Output connector: WG69, flang UG-595/U
- Dimensions: 280 x 35 mm without mounting elements
- Installation pole: 30 to 45 mm diameter
- Weight: 1.2 kg
- Wind force: 150 km/h, max
- Temperature range: -40 to +60 C
- Humidity: 15 to 98%



MDS America, Inc.
800 SE Lincoln Avenue
Stuart, FL 34994
United States of America

www.mdsamerica.com

+1 772 463 8338